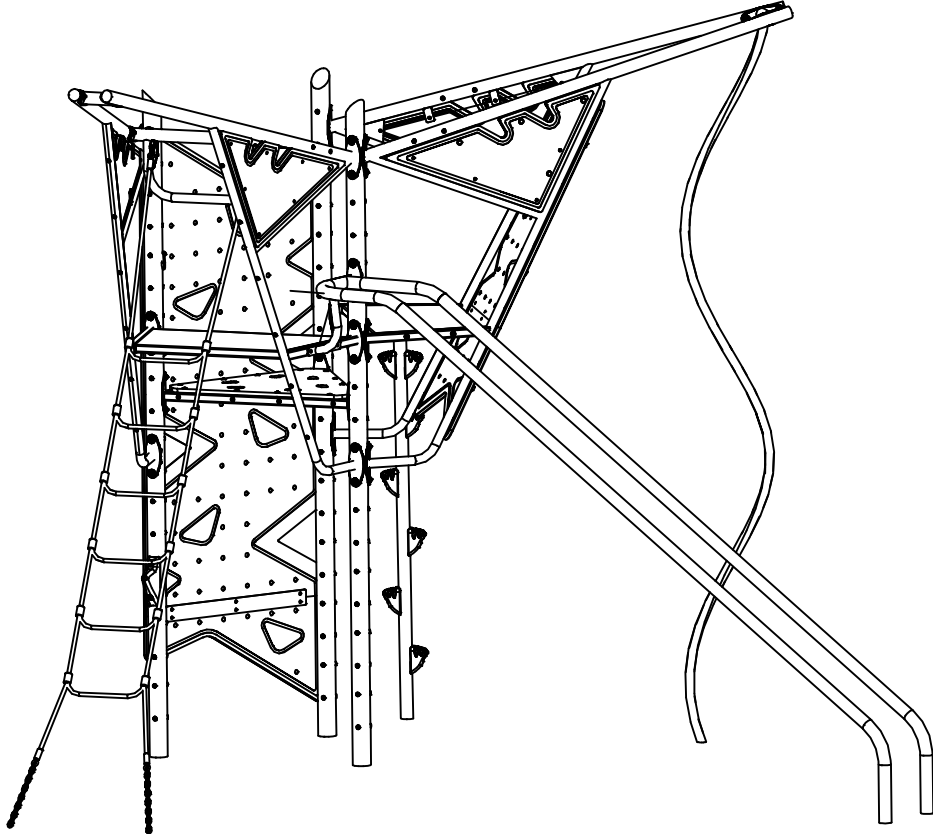
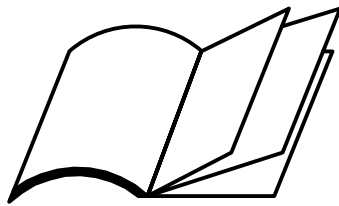


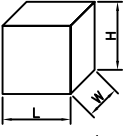
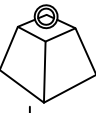
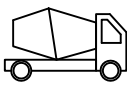
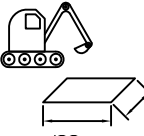
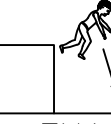

HAGS

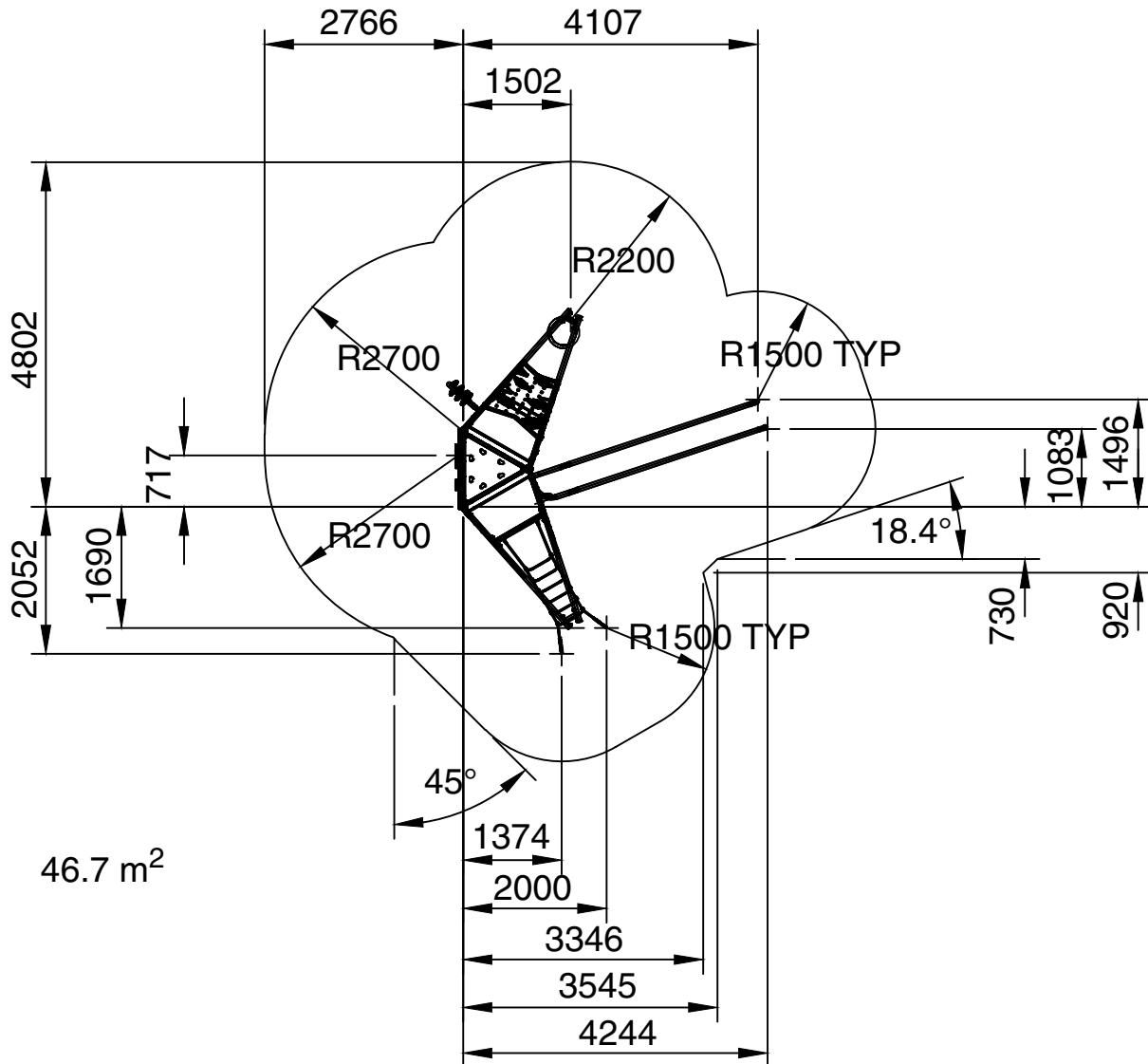
NEXUS ALTITUDE NXA-03B

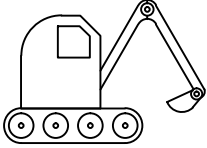




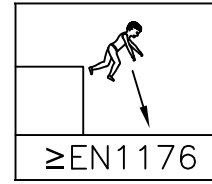
Section 1:

	 LxWxH (m)	 kg	 m ³	 m	 ≥EN1176	 x 2 = T
NXA-03B	4.35 x 4.82 x 3.57	524.0	1.63	10.0 x 10.0	3.0m	T = 20h

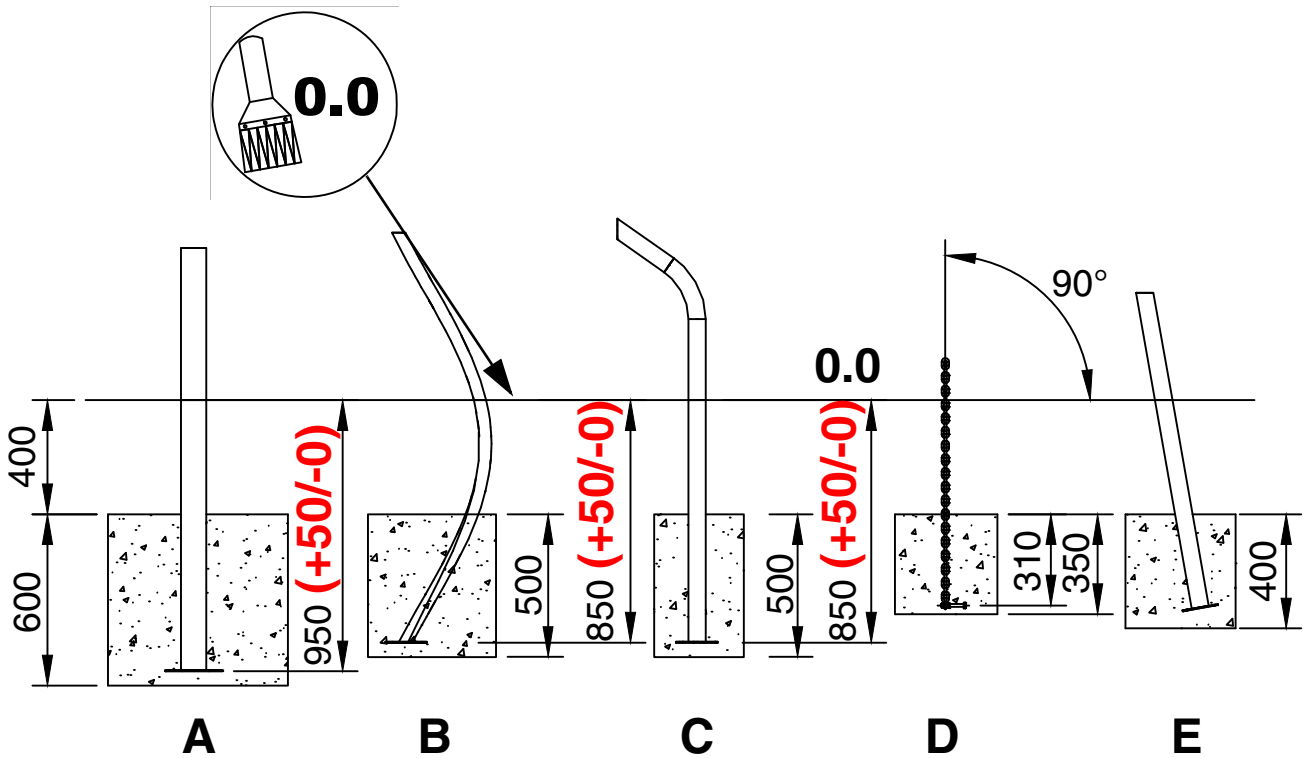
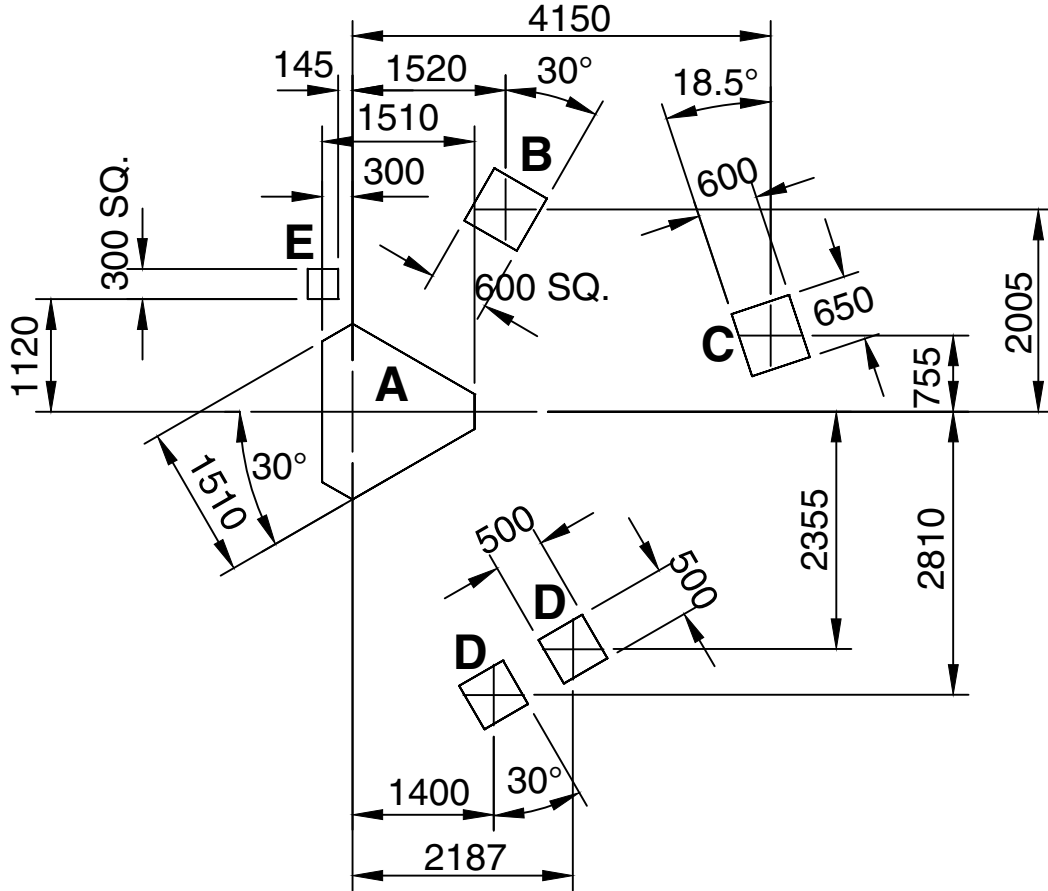


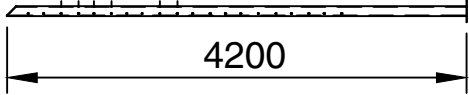
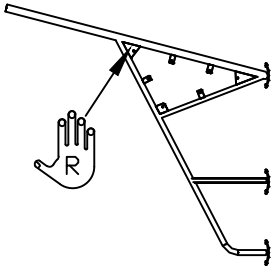
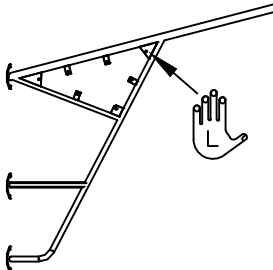
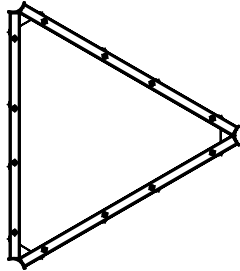
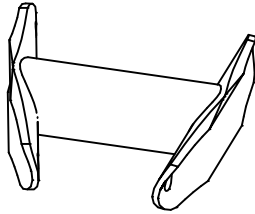
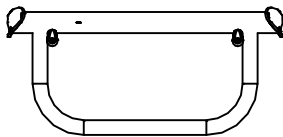


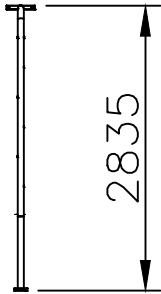
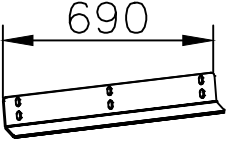
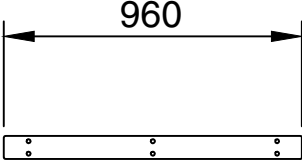
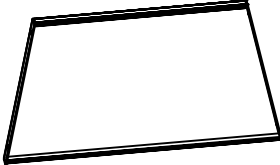
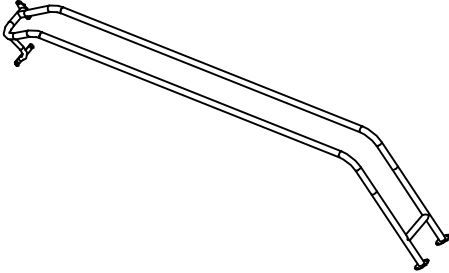
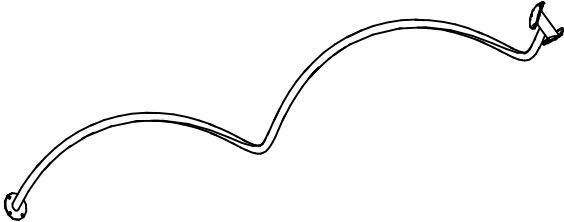
TYPE 1/2 & 3

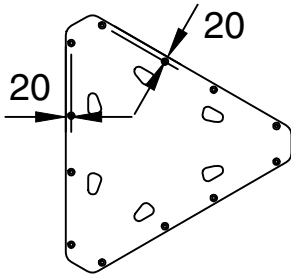
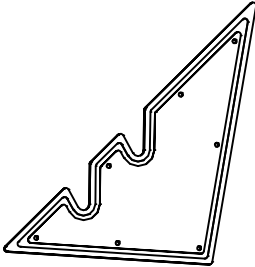
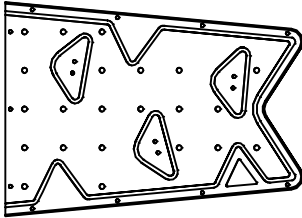
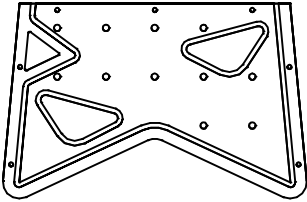
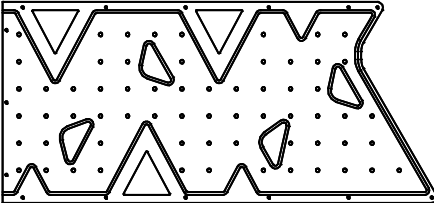
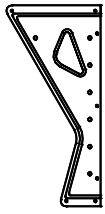
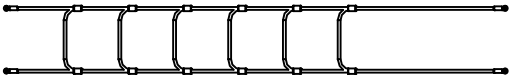


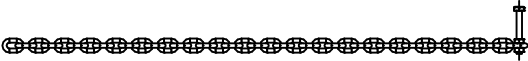
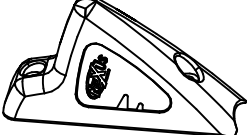
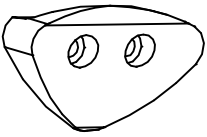
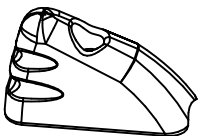
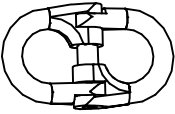
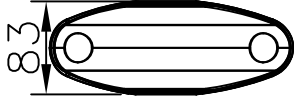
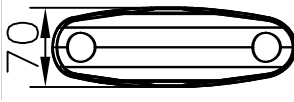



3.0 m

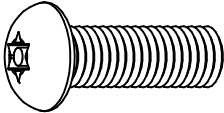
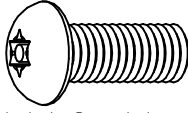
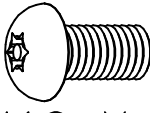
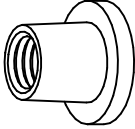
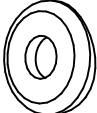
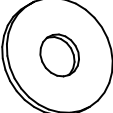
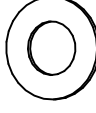
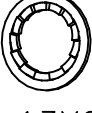
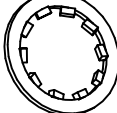
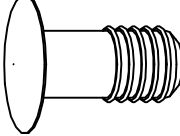


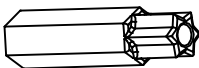
ITEM	REF	NXA-03B	QTY	kg
1	92003001		3	49.00
2	92003005		2	24.00
3	92003010		2	24.00
4	91010030		1	11.00
5	91070010		1	2.00
6	92003020		1	7.00

ITEM	REF	NXA-03B	QTY	kg
7	91050230		1	15.00
8	91070240		1	3.20
9	92003025		1	2.50
10	91070410		2	16.5
11	92004001		1	64.00
12	92004005		1	20.00

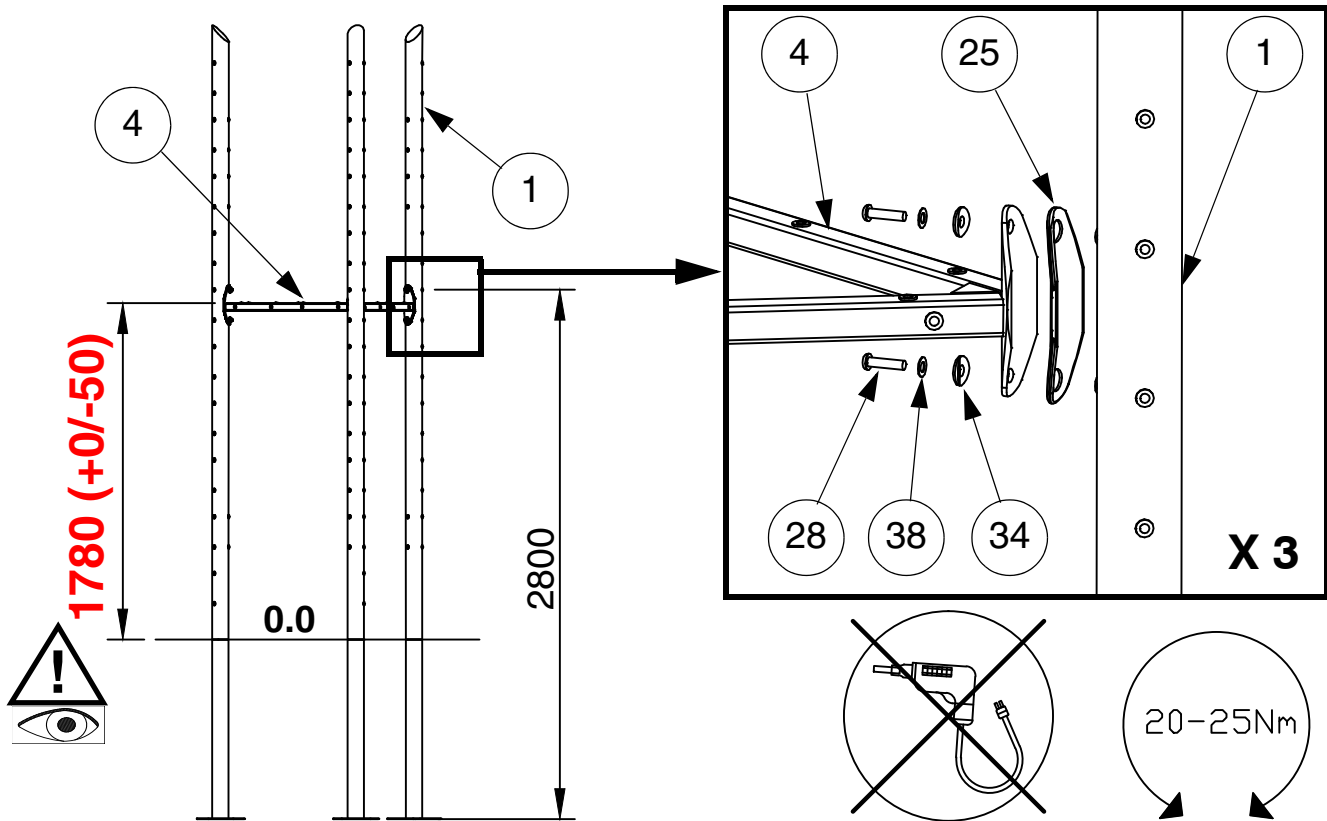
ITEM	REF	NXA-03B	QTY	kg
13	91010040		1	8.00
14	92002020		4	4.80
15	92002010		1	14.30
16	92002015		1	7.80
17	92002001		1	43.00
18	92002005		1	5.30
19	92006001		1	5.80

ITEM	REF	NXA-03B	QTY	kg
20	38008027		2	1.50
21	92004010		1	0.75
22	91070241		10	0.42
23	92004020		7	0.40
24	15715000		4	0.10
25	19023802		16	0.05
26	19023803		6	0.05
27	10121065	 M10 X 65	9	0.050
28	10121040	 M10 X 40	72	0.037
29	10121035	 M10 X 35	32	0.032

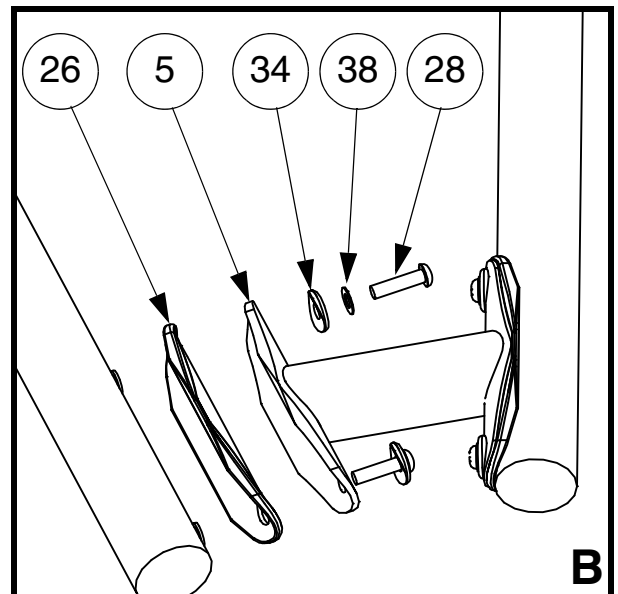
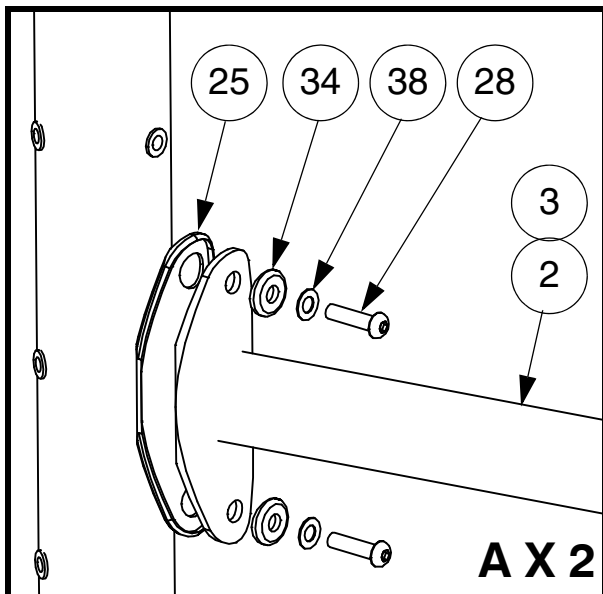
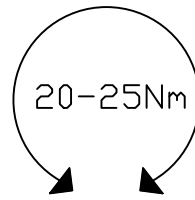
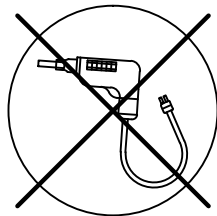
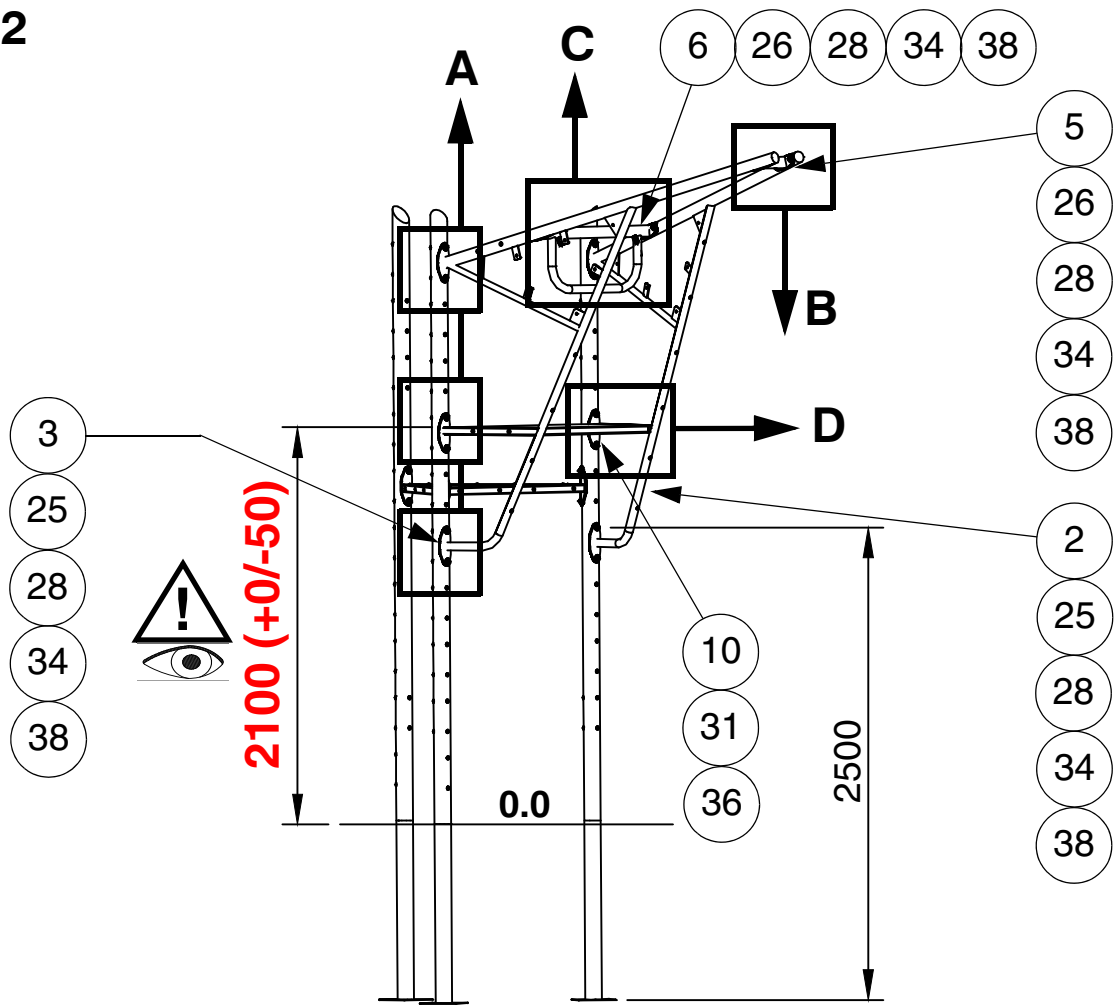
ITEM	REF	NXA-03B	QTY	kg
30	10121030	 M10 X 30	4	0.028
31	10121025	 M10 X 25	36	0.024
32	10121020	 M10 X 20	12	0.020
33	10931000	 M10	60	0.020
34	38001019	 M10 12X32X6.5	44	0.002
35	10309999	 M10 11X30X2.5	8	0.011
36	10291000	 M10 11X21X1	89	0.002
37	10301200	 M12 13X20X1	60	0.002
38	10301000	 M10 12X18X1	73	0.001
39	19024501		158	0.001

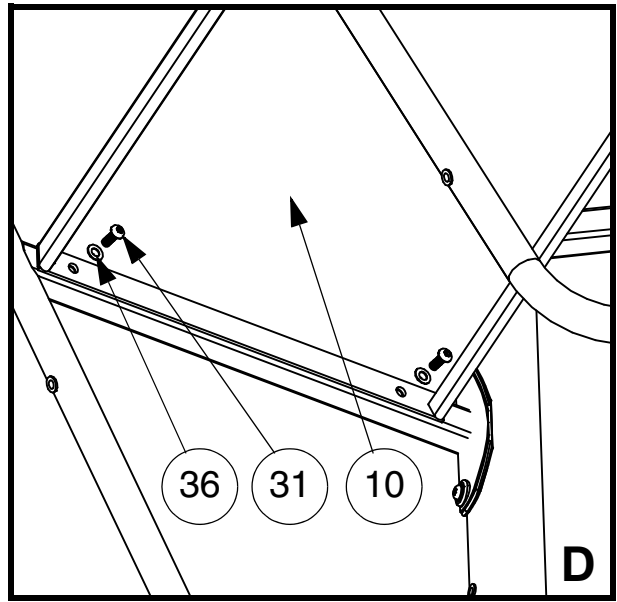
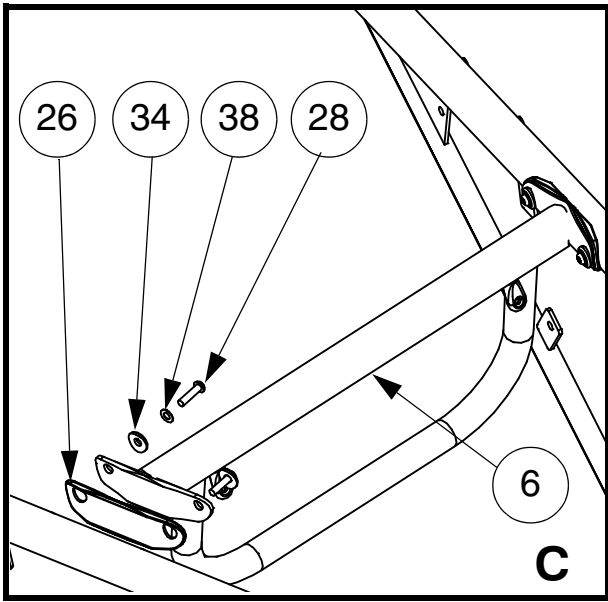
ITEM	REF	NXA-03B	QTY	kg
40	10121000	 T45 M10	2	-

STEP 1

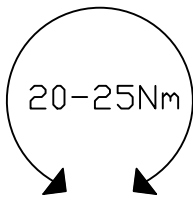
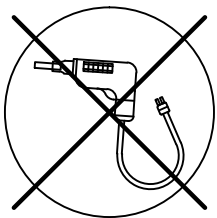
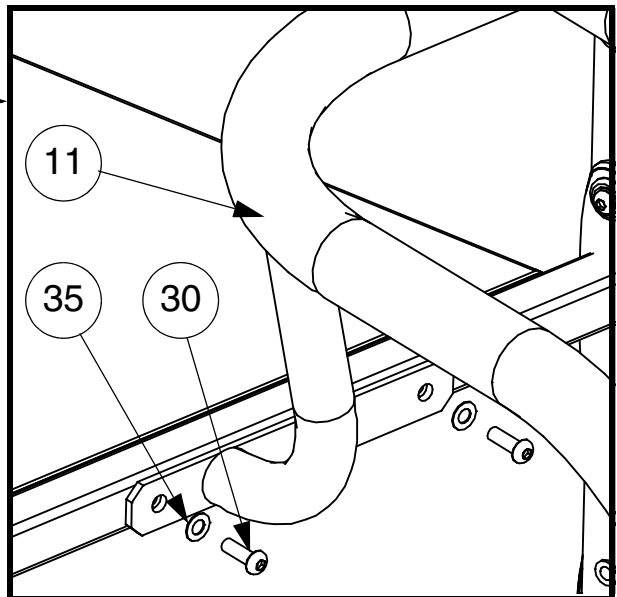
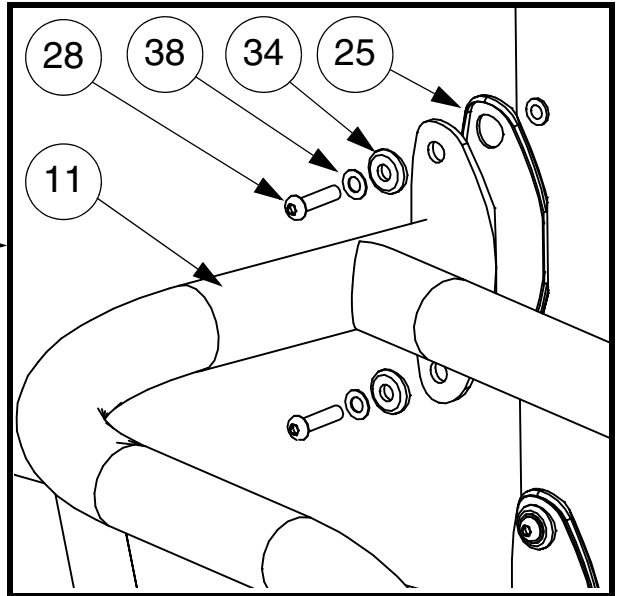
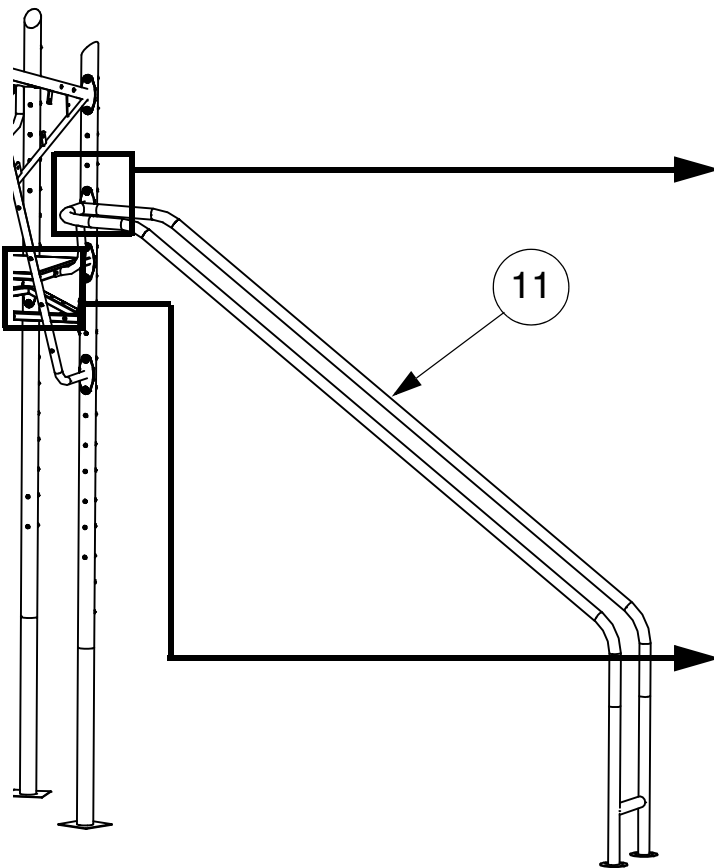


STEP 2

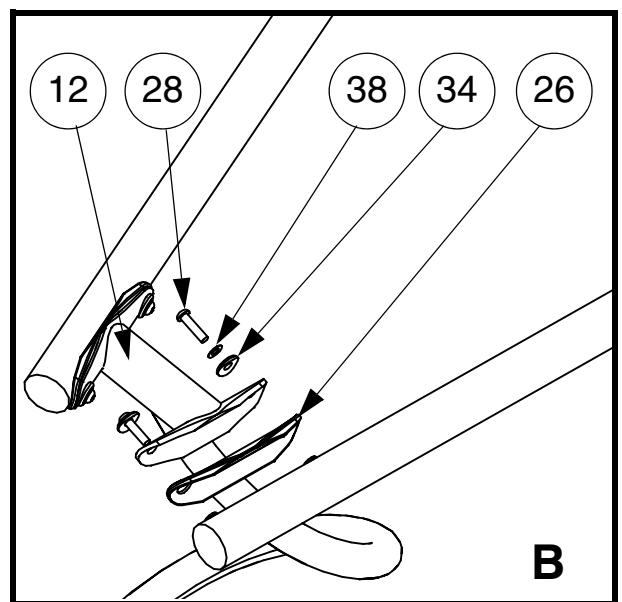
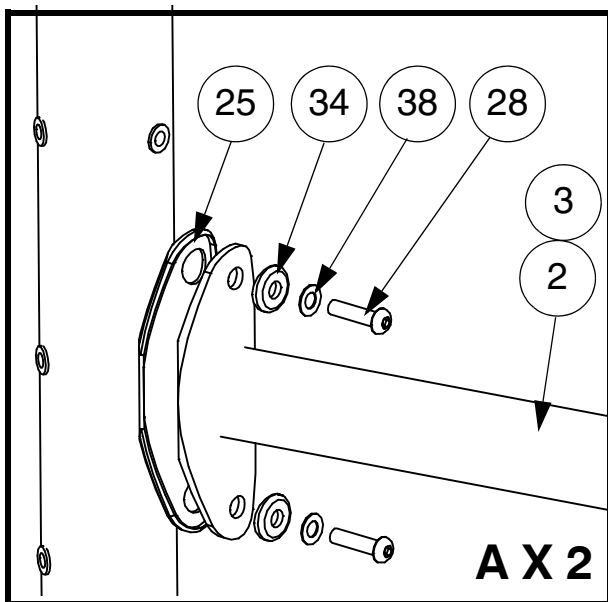
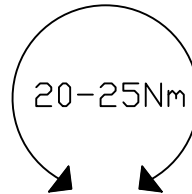
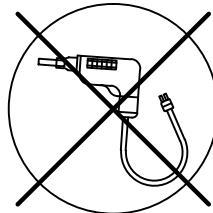
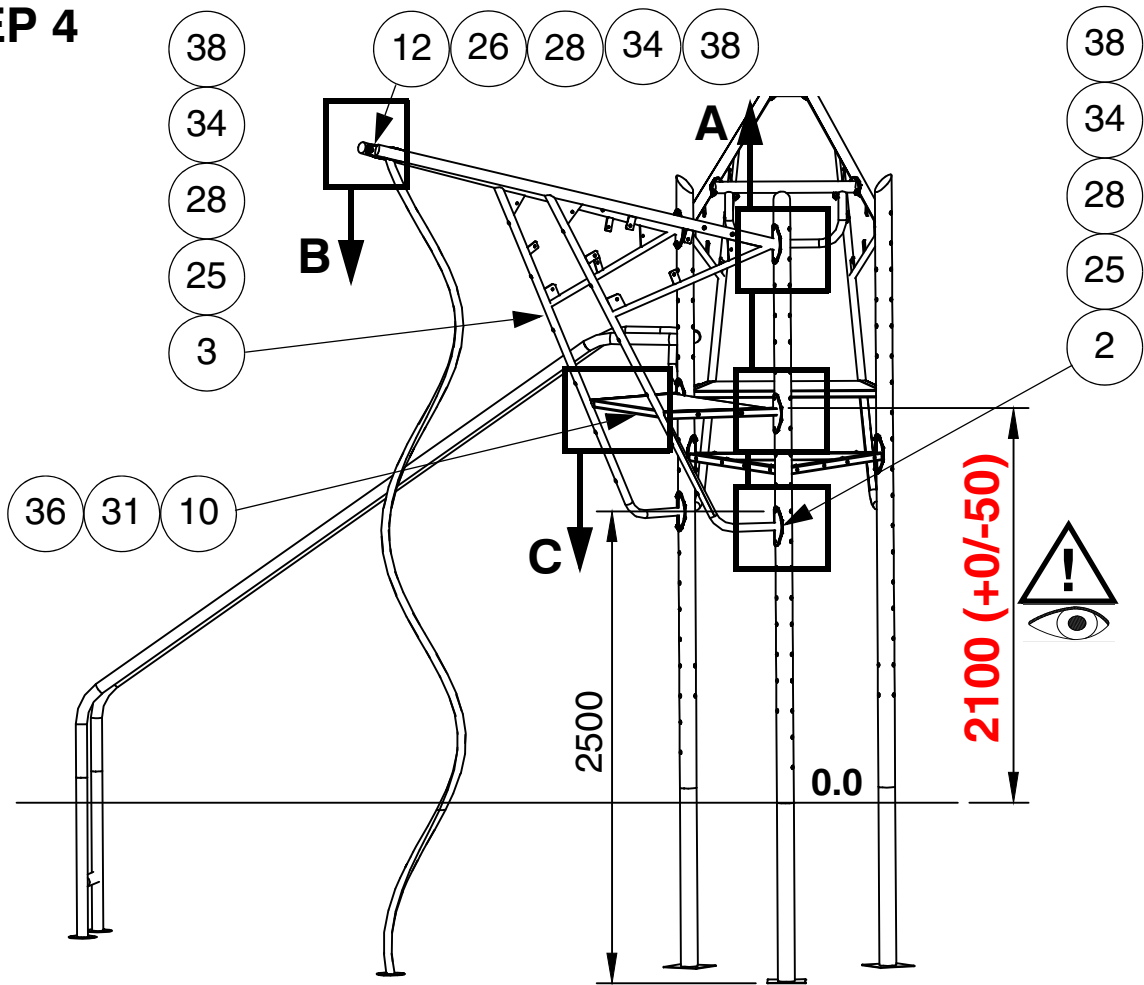


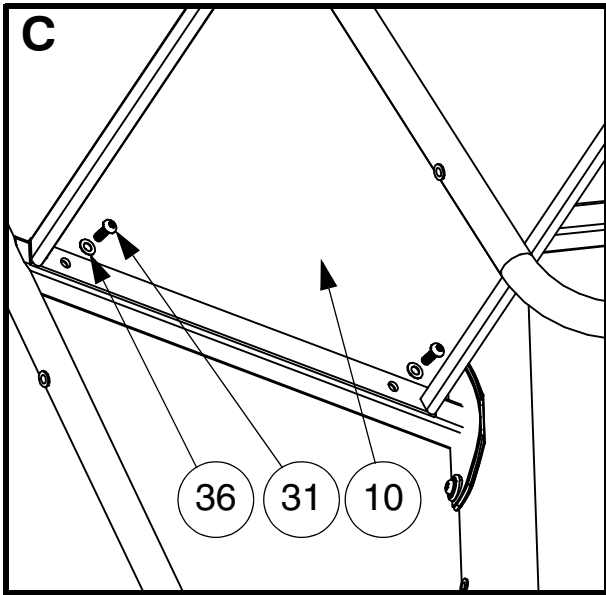


STEP 3

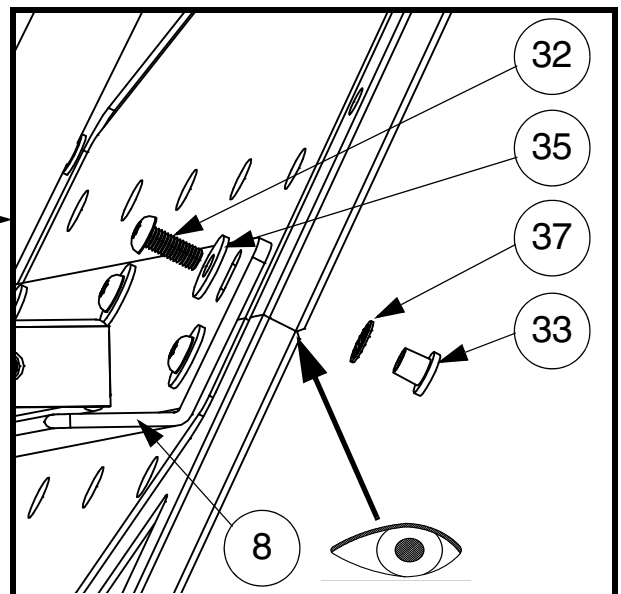
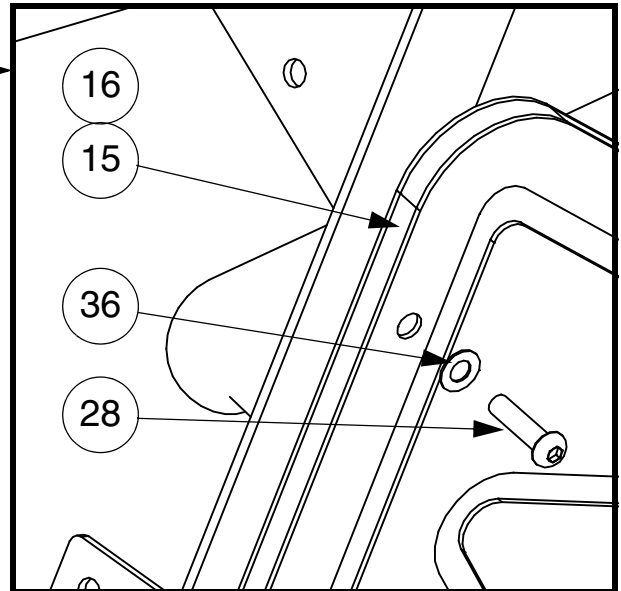
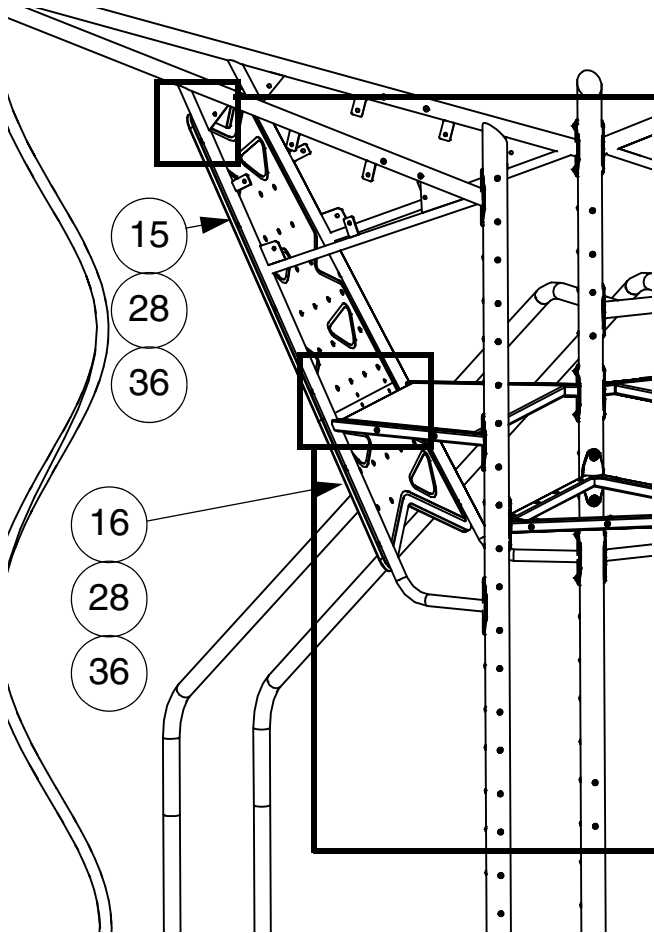


STEP 4

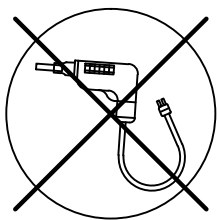
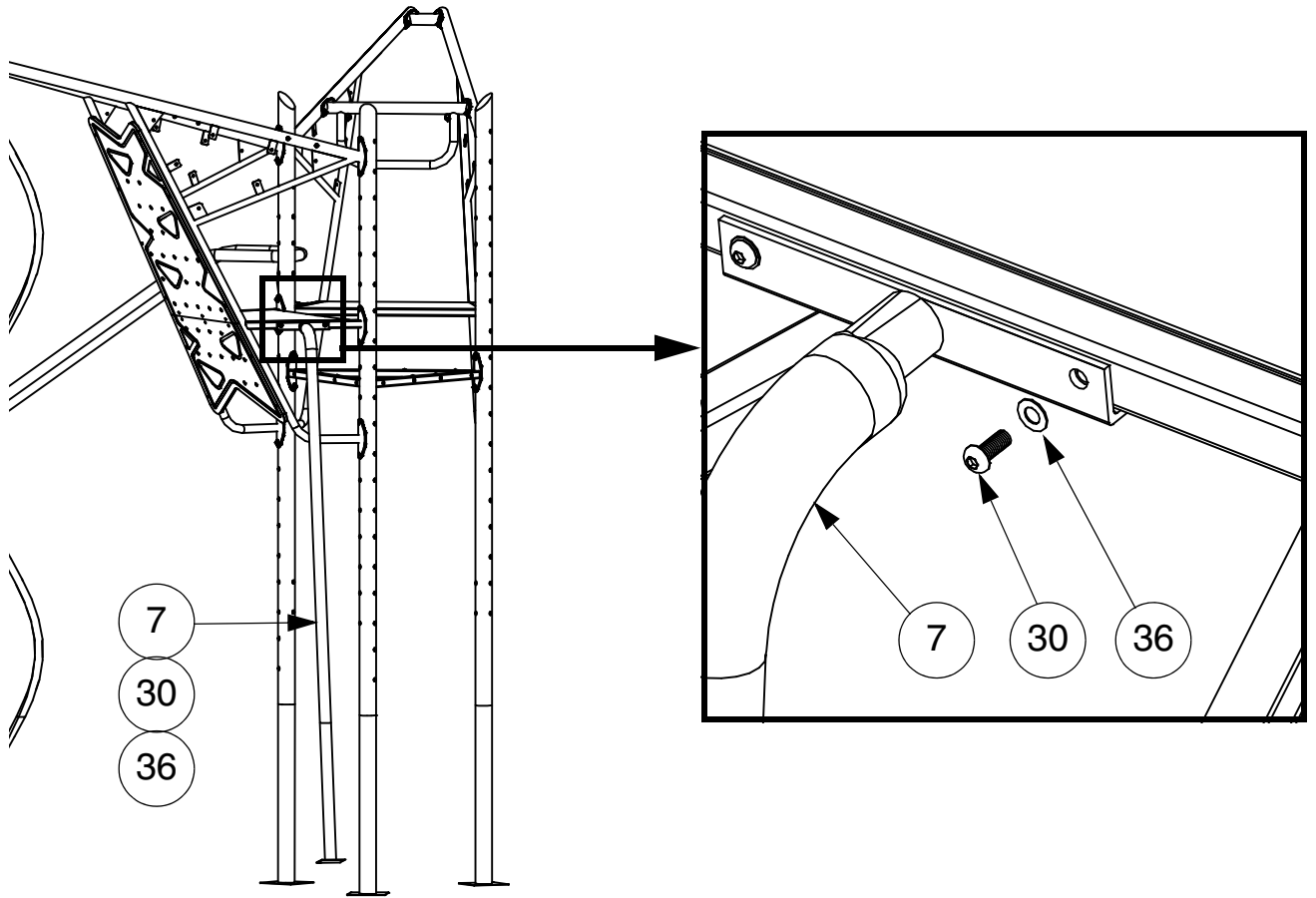




STEP 5

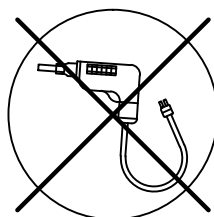
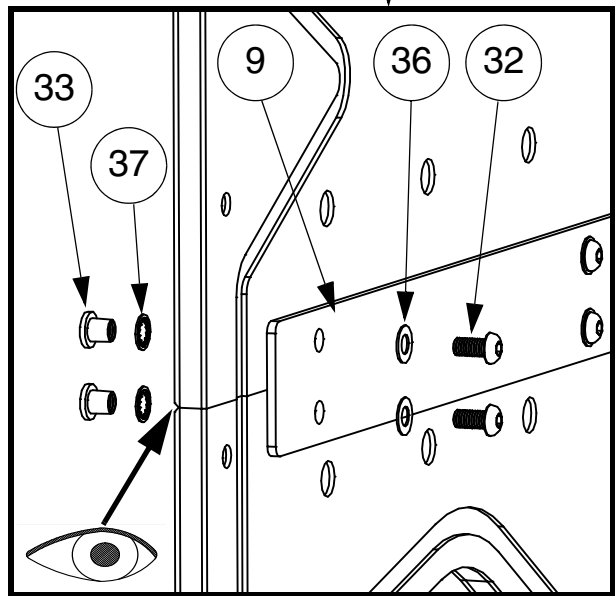
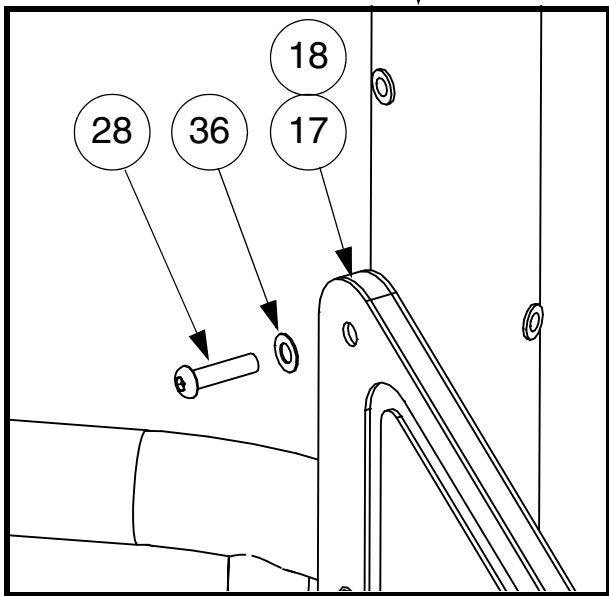
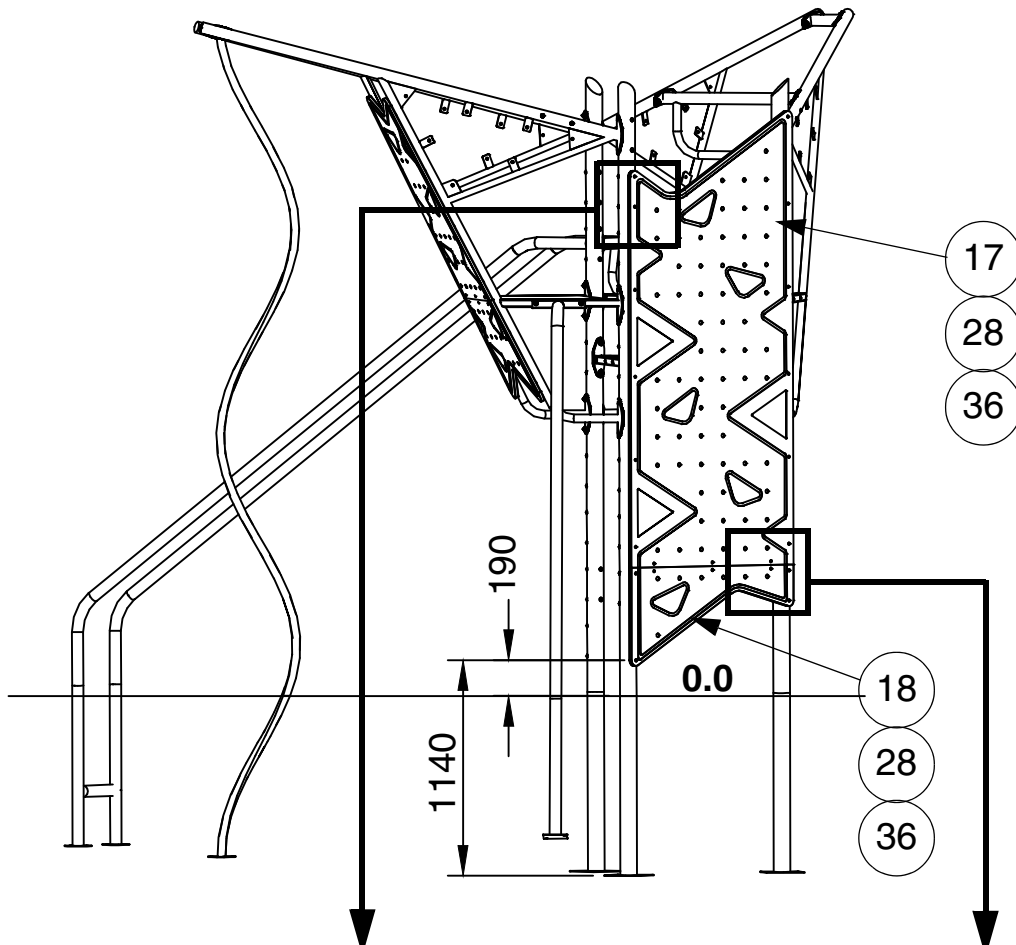


STEP 6

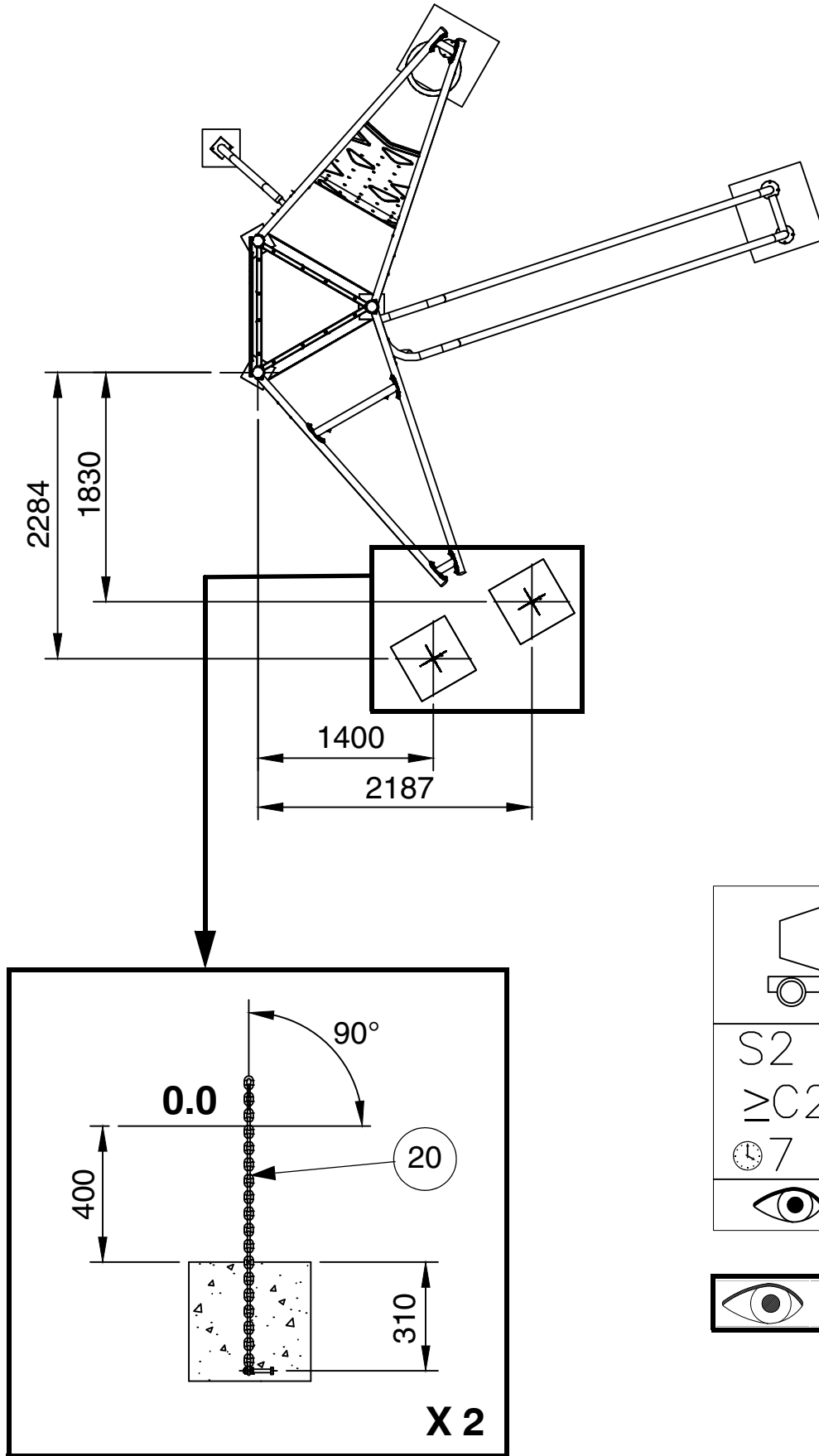


20-25Nm

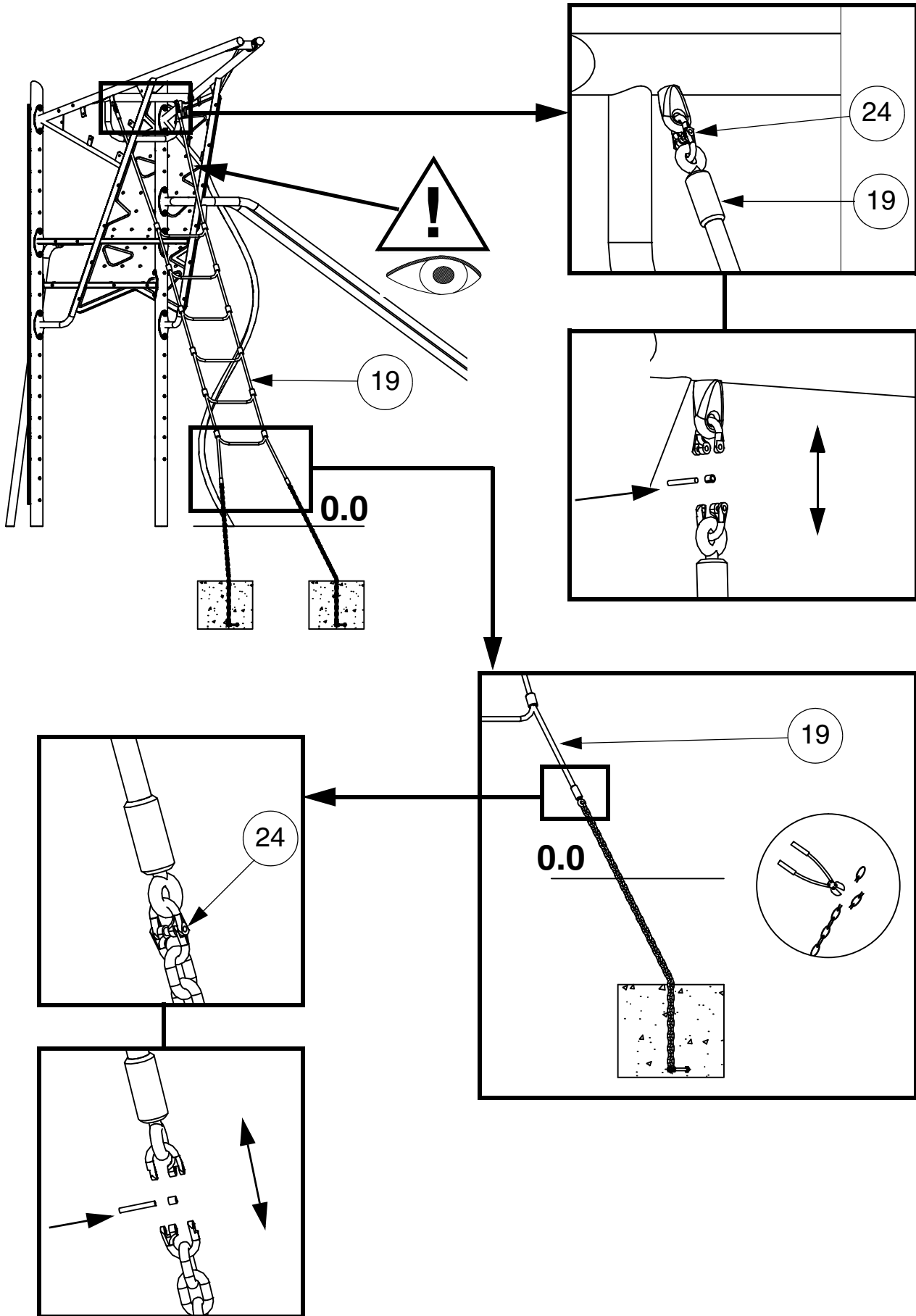
STEP 7



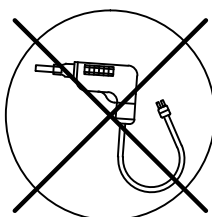
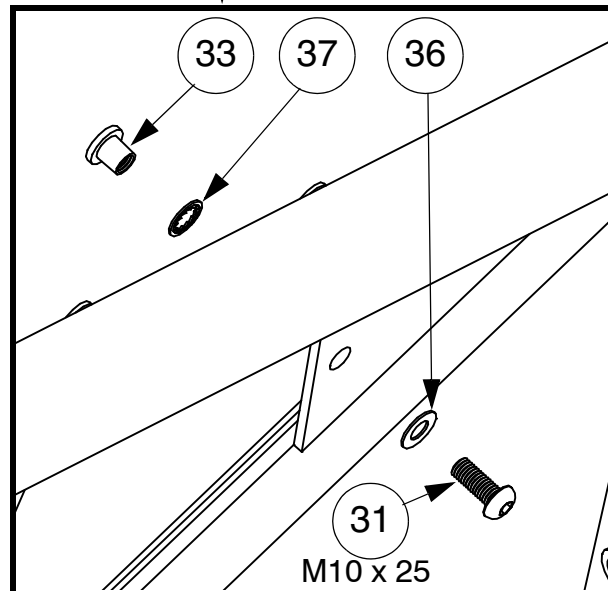
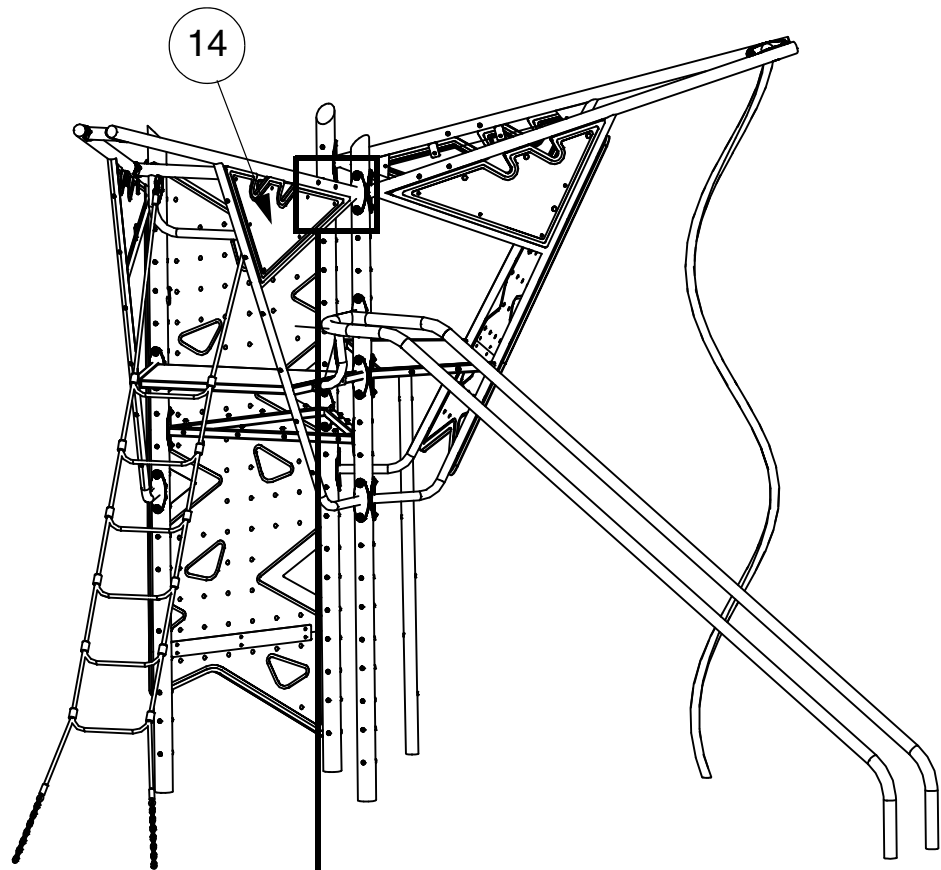
STEP 8



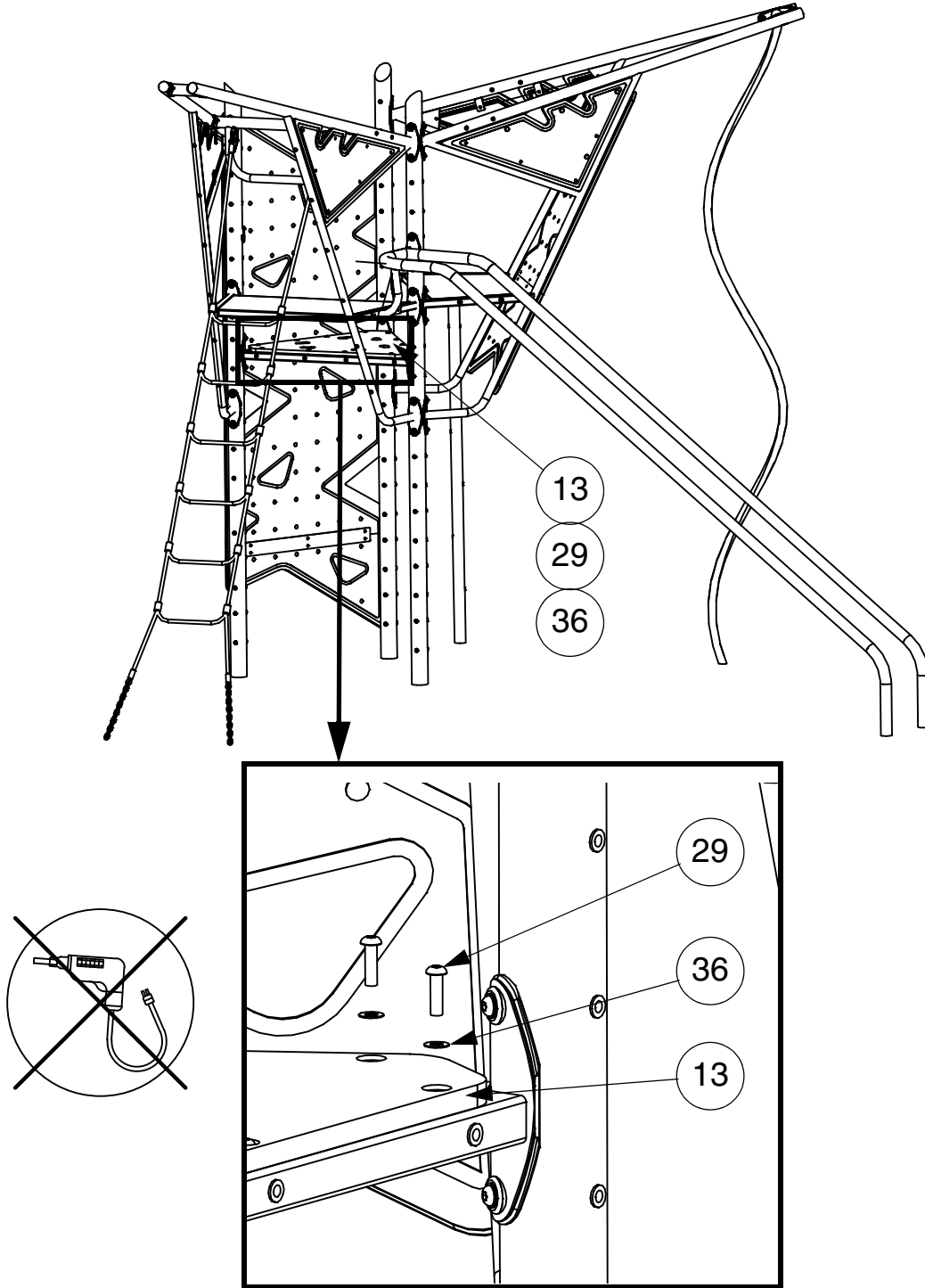
STEP 9



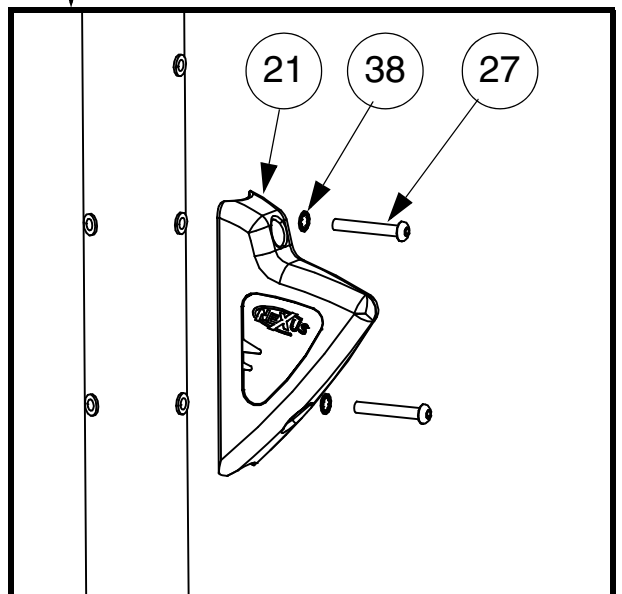
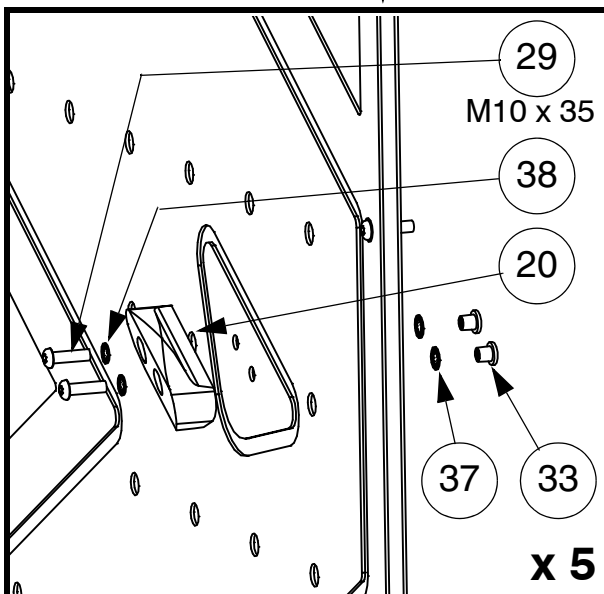
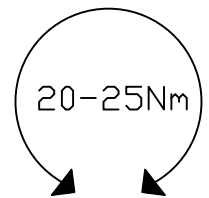
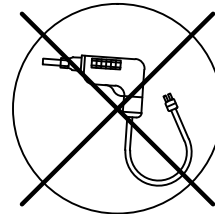
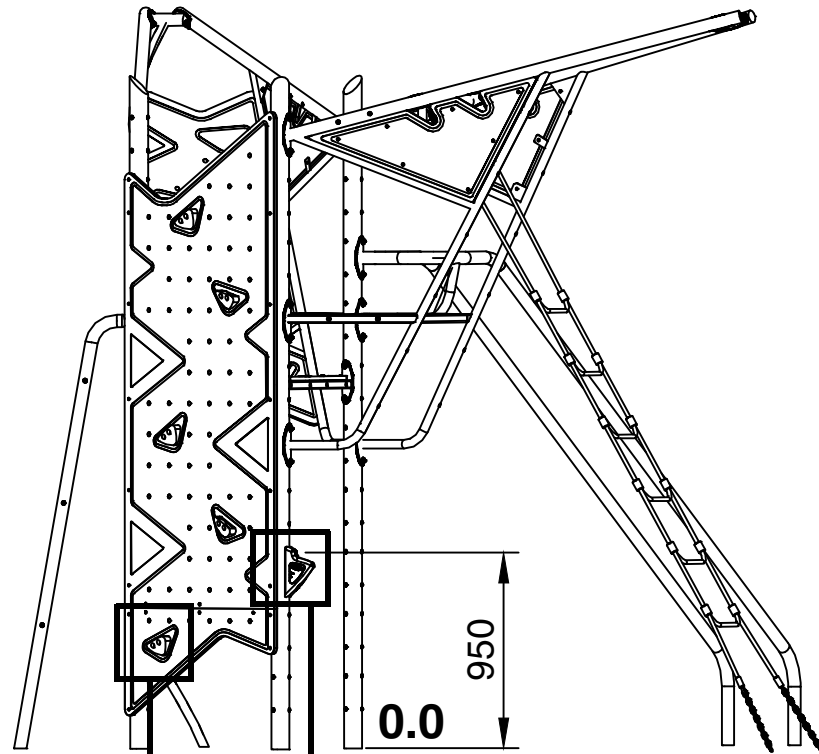
STEP 10



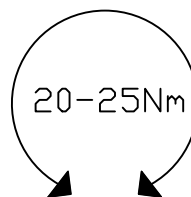
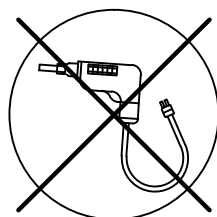
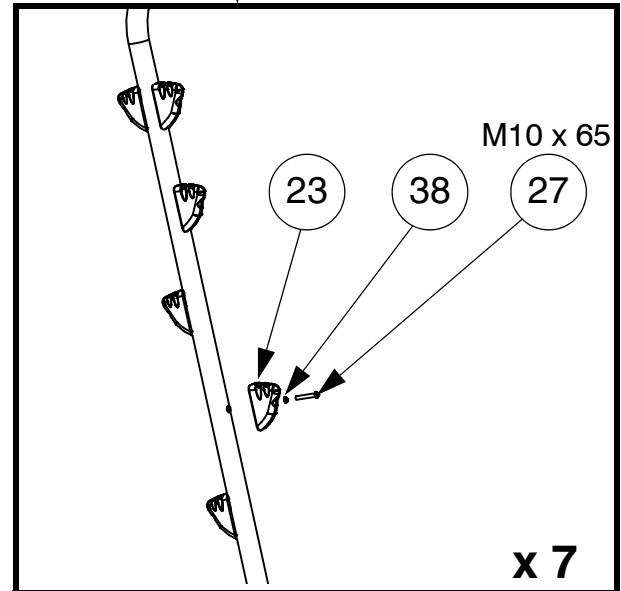
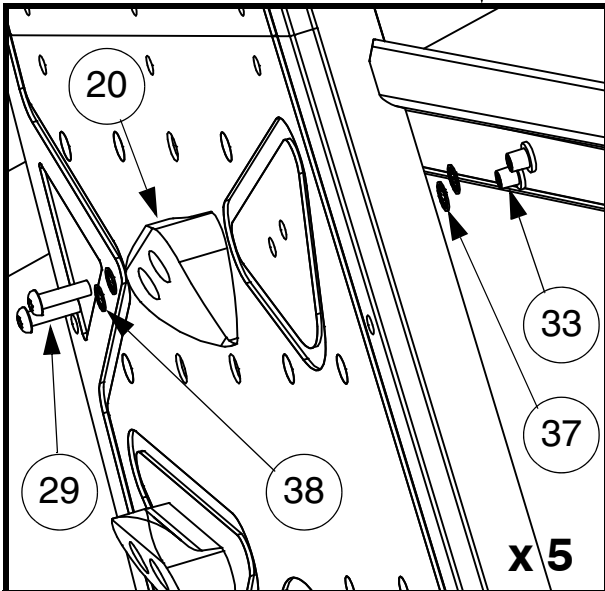
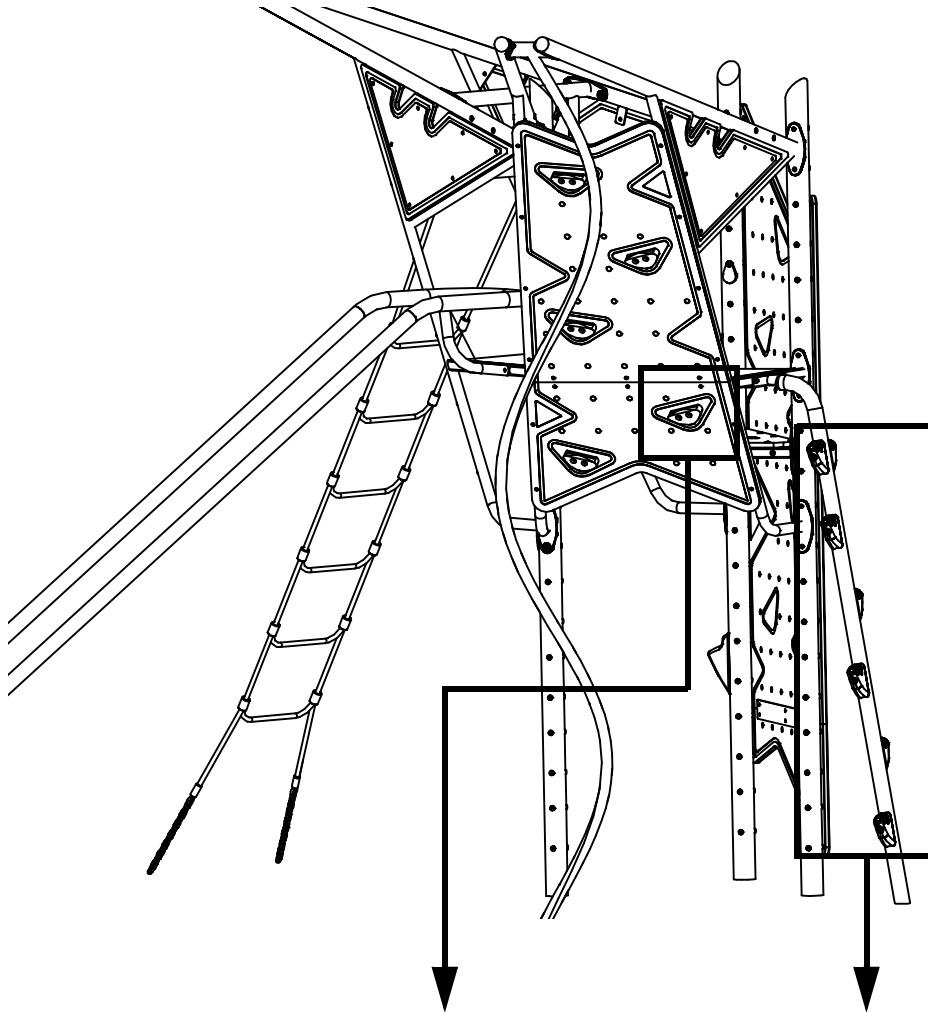
STEP 11



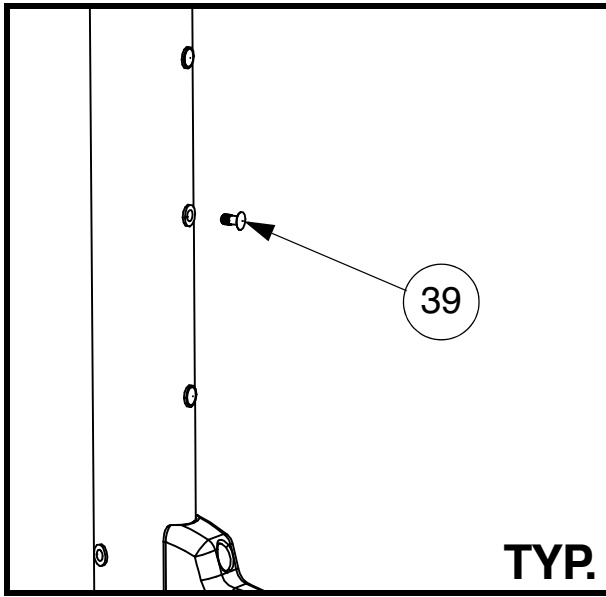
STEP 12

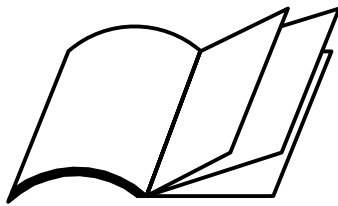


STEP 13

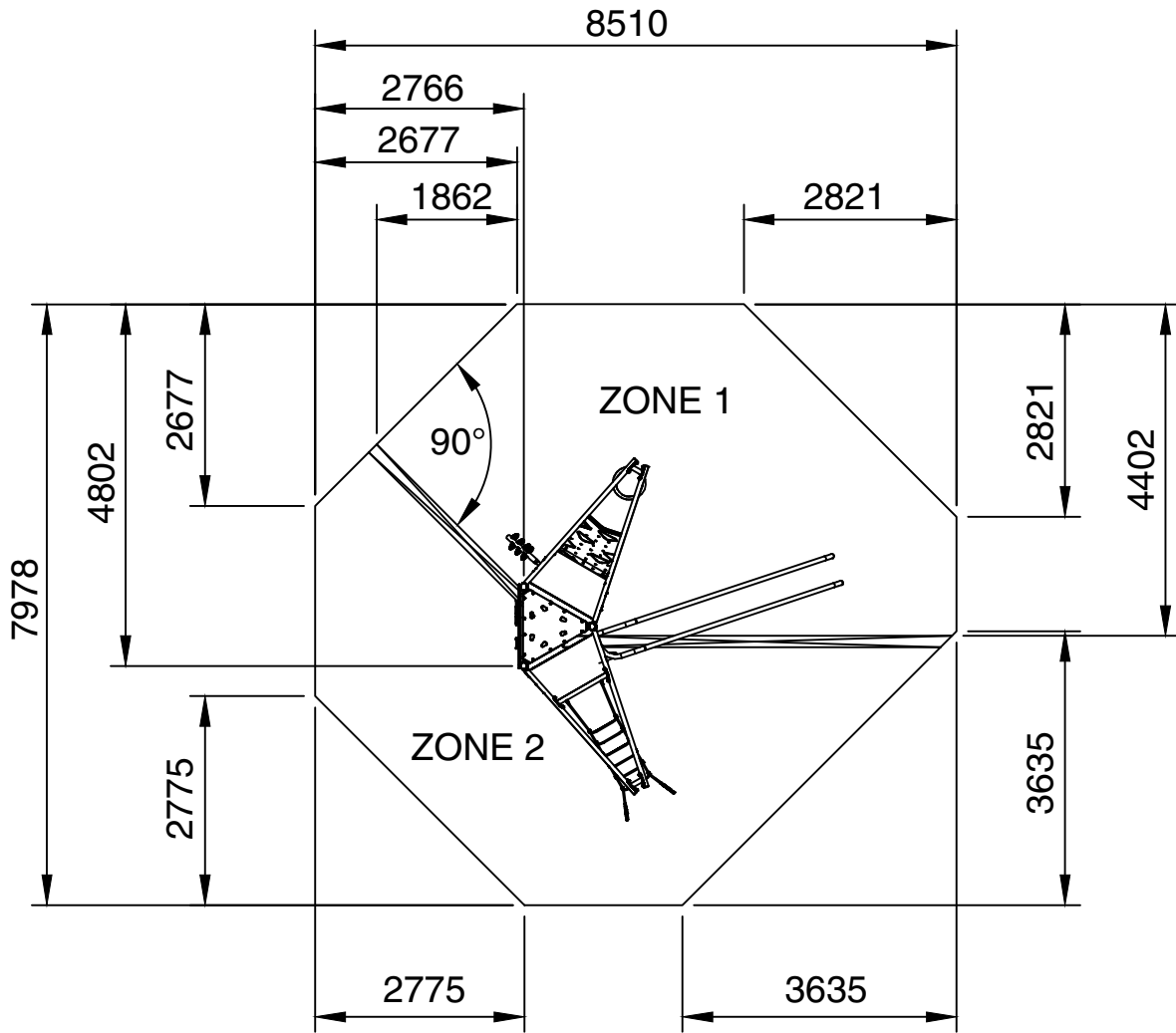


STEP 14



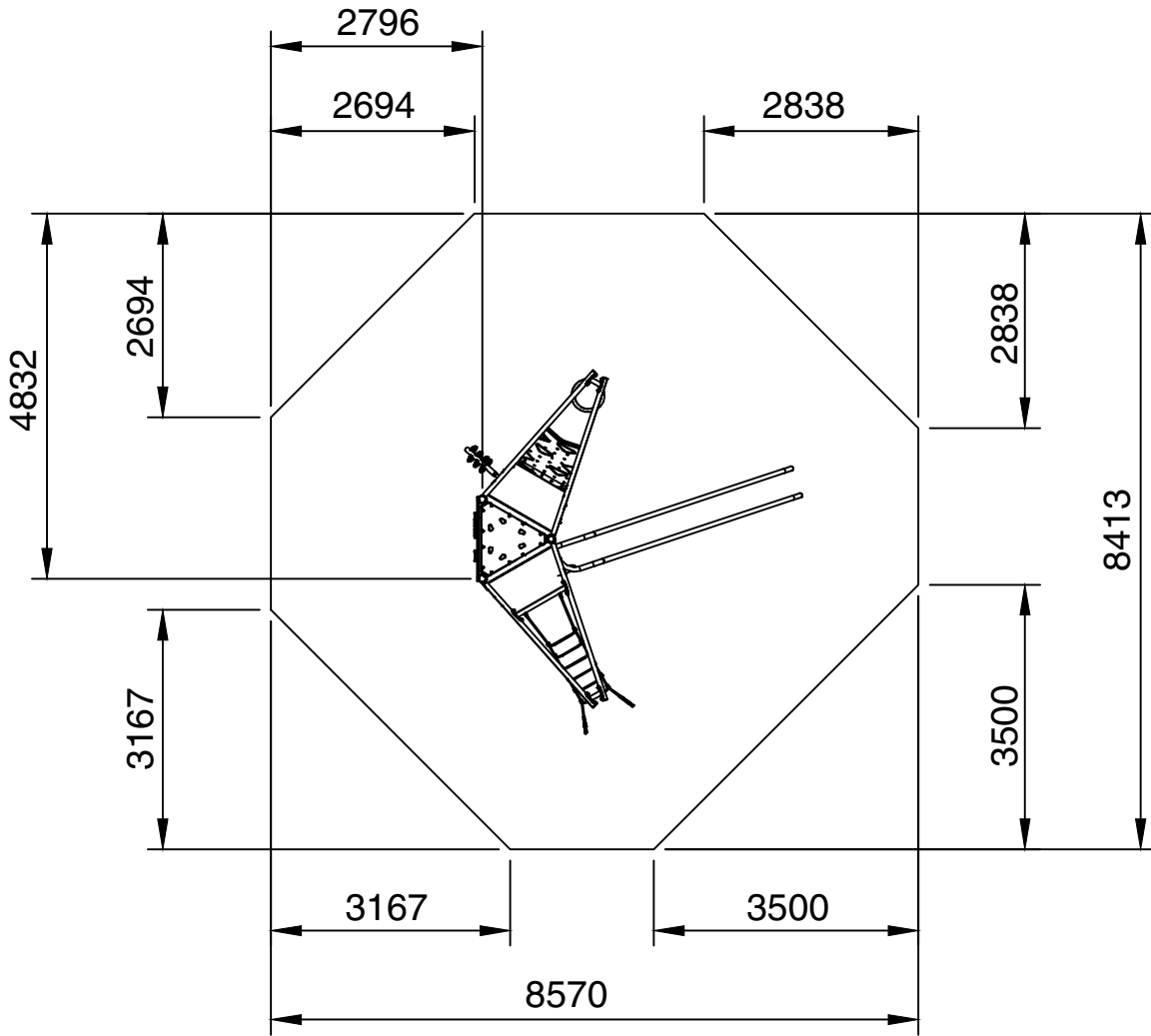


Appendix A:

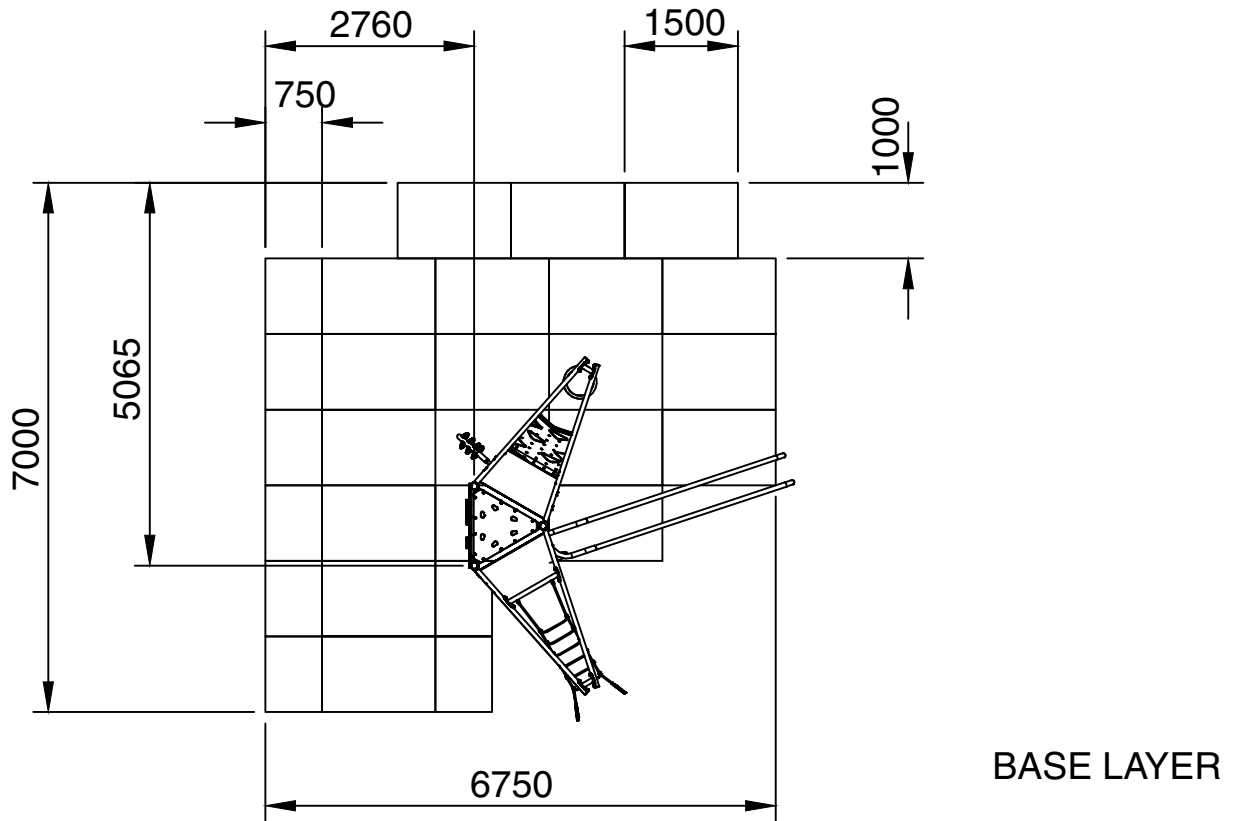


ZONE 1 FREEFALL HEIGHT = 3M
 ZONE 2 FREEFALL HEIGHT = 2.7M

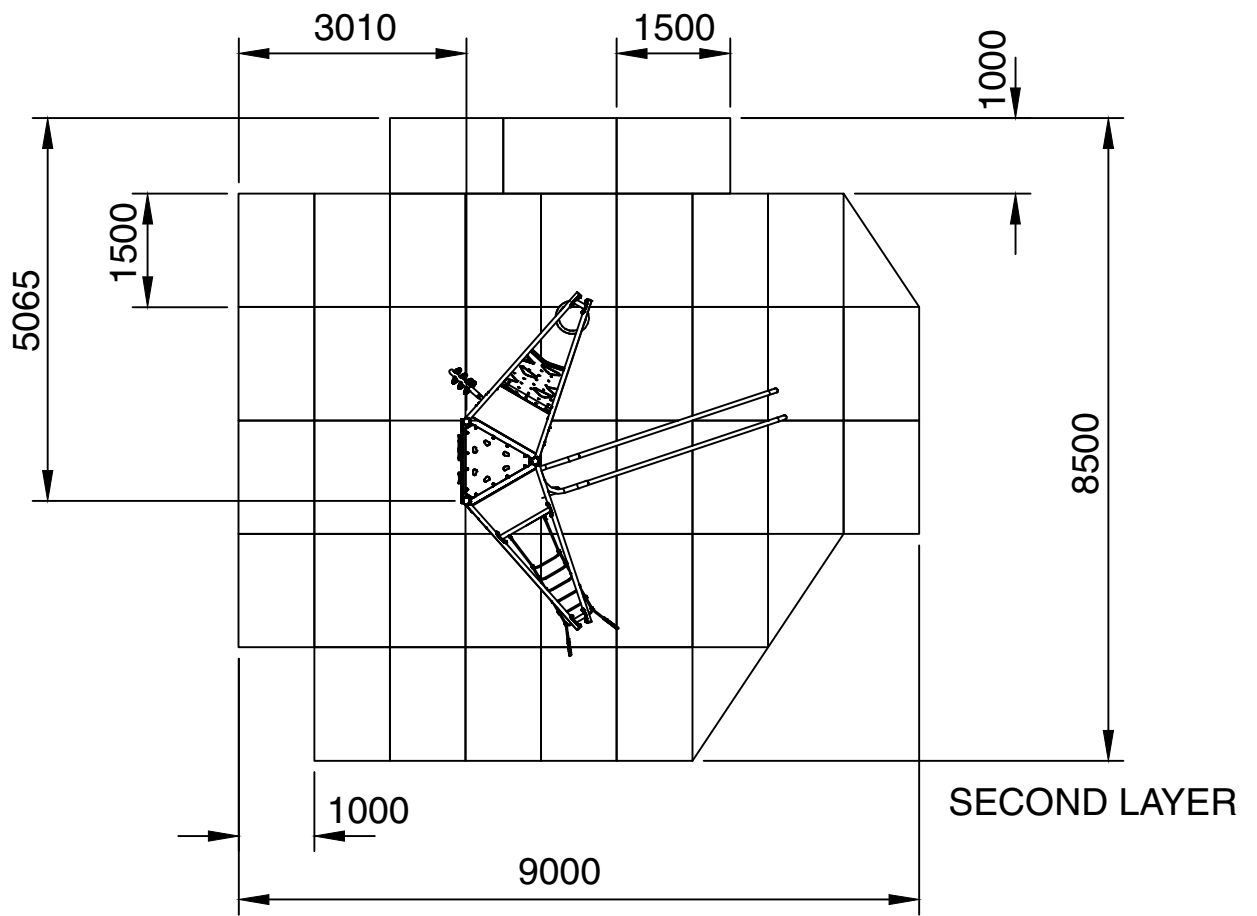
TYPE 3 SYNTHETIC  144



TYPE 1/2 LOOSEFILL  144



BASE LAYER



SECOND LAYER

TYPE 5 GRASSMATT FR  144

